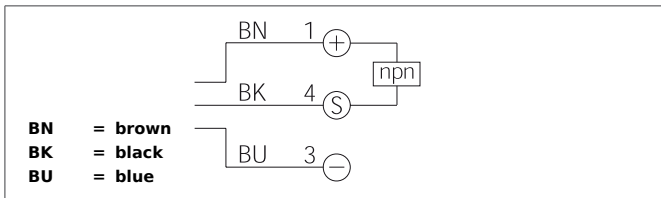


# LGL 121 N3K-TSSL

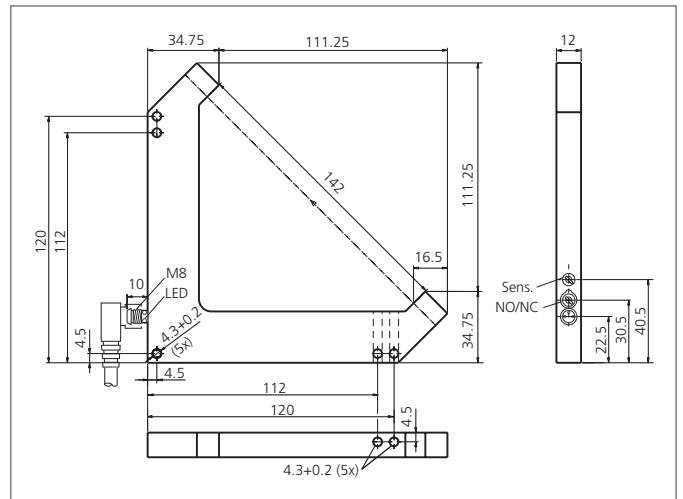
## Laser Angled Light Barrier

- Very high resolution
- Mountable side by side
- Optical axis approachable in x-, y- and z-direction
- Visible laser spot
- High operating frequency
- Light/dark switching
- Laser class 1
- Bright ring LED
- 5-year warranty



### Safety instructions

Inproper use may result in hazardous radiation exposure. Pay attention to accident prevention rules and laser class. The instruments are not to be used for safety applications, in particular applications in which safety of persons depends on proper operation of the instruments. These instruments shall exclusively be used by qualified personnel.



TECHNICAL INFORMATION (typ.)	+20°C, 24V DC
Operating principle	Optical
Evaluation	digital
Size	146 x 146 x 12 mm (Dimensions)
Design	Angle
Branch length	120/120 mm
Emitted light	Red light laser, 650 nm, clocked
Laser class	1 (IEC 60825-1)
Service voltage	10 ... 35 V DC (Supply Class 2)
Internal power consumption	< 30 mA
Operating distance	142 mm (optical axis)
Resolution	50 µm
Sensitivity adjustment	potentiometer
Switching output	npn, 200 mA, NO/NC, switchable
Switching hysteresis	< 20 µm
Voltage drop	< 2,8 V
Switching frequency	3.000 Hz
Reproducibility	10 µm
Laser power	< 100 µW
Ambient temperature	+5 ... +45 °C
Ambient light immunity	100 kLx
Insulation voltage endurance	250 V
Protection class	IP 67
Protection degree	III, operation on protective low voltage

# LGL 121 N3K-TSSL

## Laser Angled Light Barrier



### TECHNICAL INFORMATION (typ.)

**+20°C, 24V DC**

Casing material

Aluminium black anodized

Connection

Connector, M8, 3-poled

Connecting cable

TK ...